

# MOON KITCHEN

Assembly instructions

**Instructions apply to:**  
MOON KITCHEN

**Brand**

Van der Moon®

**Manufacturer**

Vitberg Sikora Jacek  
ul. Borelowskiego 29  
33-300 Nowy Sącz,  
Poland, EU

**Contact**

tel. 48 18 442 33 69  
[contact@vandermoon.com](mailto:contact@vandermoon.com)

***Vitberg***®

Since 1993, Vitberg has been producing medical devices for rehabilitation, treatment, cosmetology and sports. Its products are known and appreciated.

Medicine and technology are not our single passion we also love to explore the world.

We have translated the experience gathered over the years into the production of accessories for people like us. This is how the Van Der Moon brand was created.

Made in Poland, EU.  
[www.vandermoon.com](http://www.vandermoon.com)



M6x16 – 42x



M6 – 54x



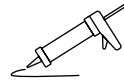
M4x10 – 115x



2,85x9mm – 65x



ø 6mm – 96x



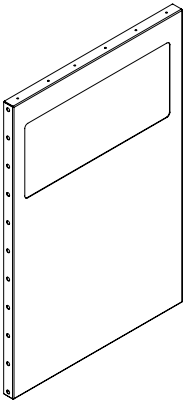
Silicon



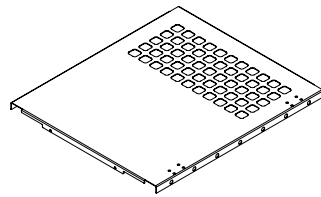
ø 4mm – 115x



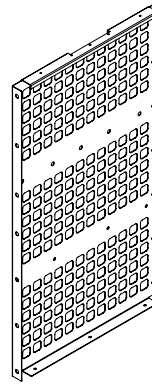
Sikaflex 221



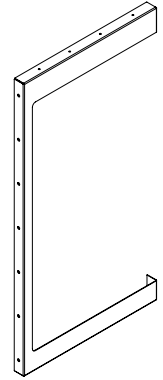
1 – 1x



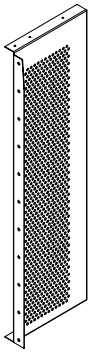
2 – 1x



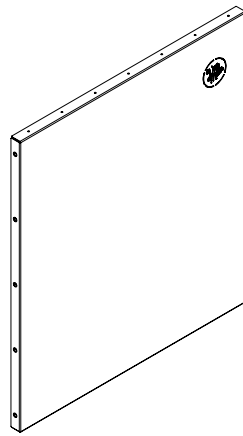
3 – 1x



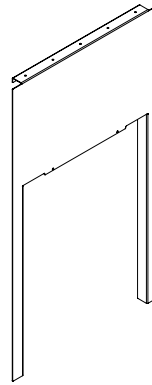
4 – 1x



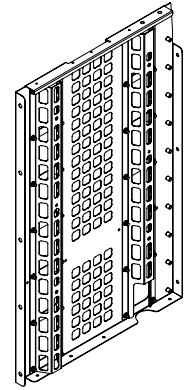
5 – 1x



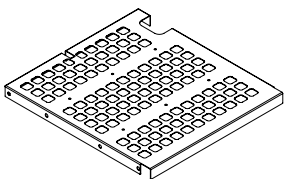
6 – 1x



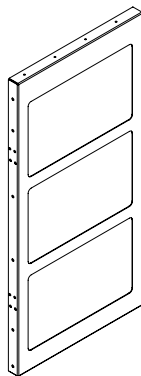
7 – 1x



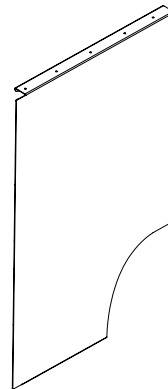
8 – 1x



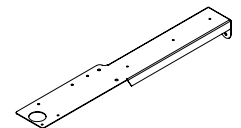
9 – 1x



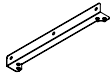
10 – 1x



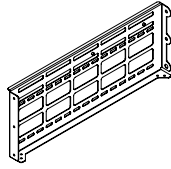
11 – 1x



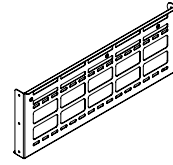
12 – 1x



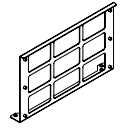
13 - 3x



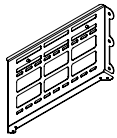
14 - 2x



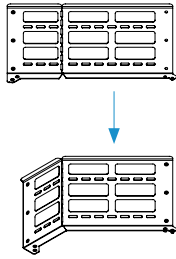
15 - 3x



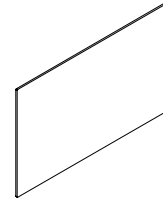
16 - 2x



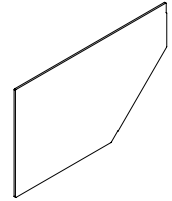
17 - 1x



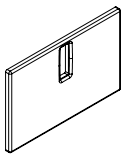
18 - 1x



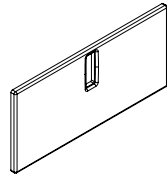
19 - 2x



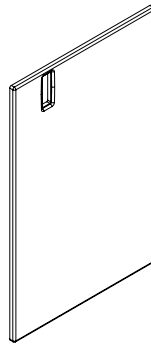
20 - 1x



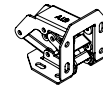
21 - 3x



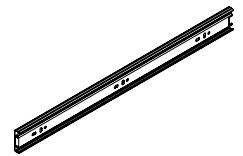
22 - 1x



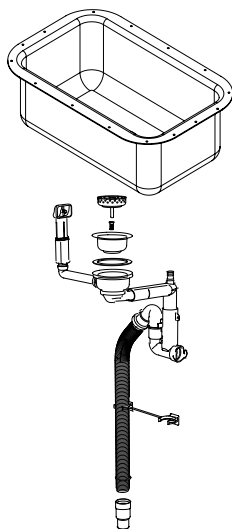
23 - 1x



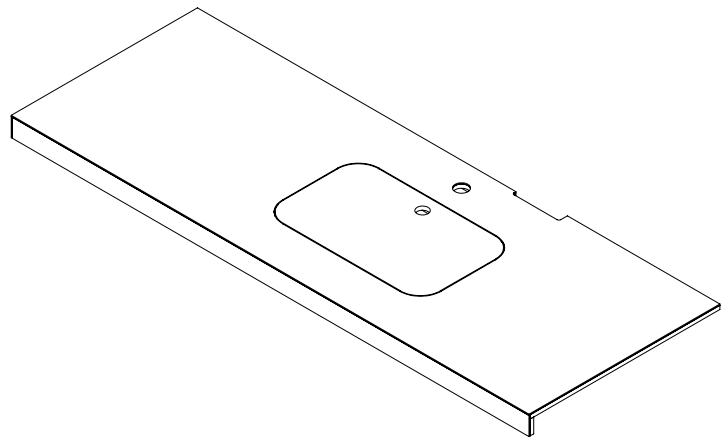
24 - 4x



25 - 6x



26 - 1x



27 - 1x

# Tools needed



Electric screwdriver  
**\* Do not use in steps 1, 5, 6, 10**



Screwdriver



Socket wrench  max. 5 [Nm]



Glue Sikaflex 221



Silicon

1 mm	0,04 in
1 kg	2,20 lb
1 l	0,26 gal

# Moon Kitchen assembly

## STEP 1



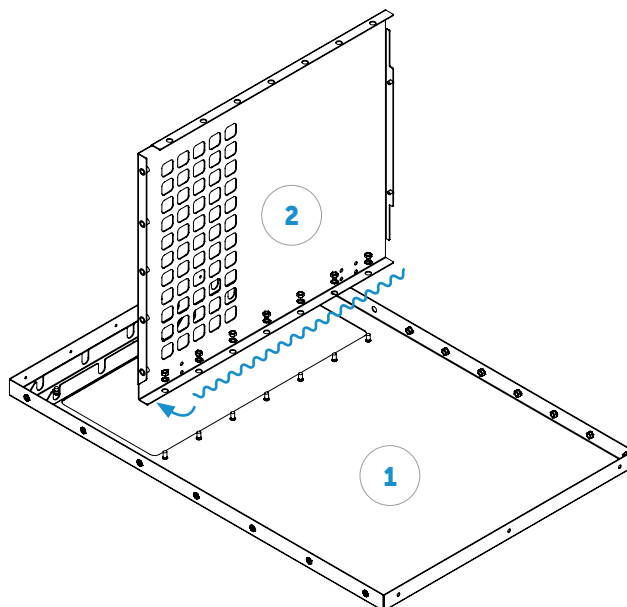
M6 – 7x



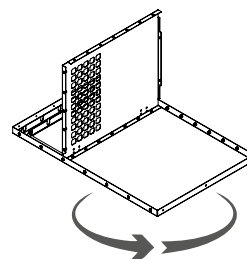
ø 6mm – 7x



Sikaflex 221



max. 5 [Nm]



## STEP 2



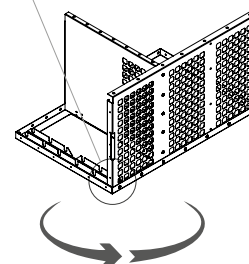
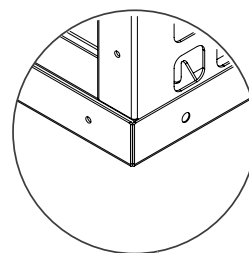
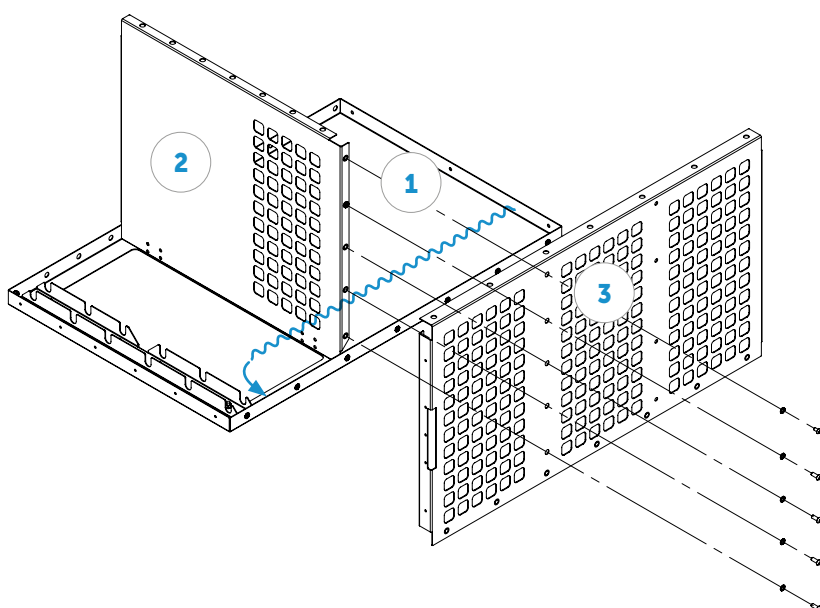
M6x16 – 5x



ø 6mm – 5x



Sikaflex 221



### STEP 3



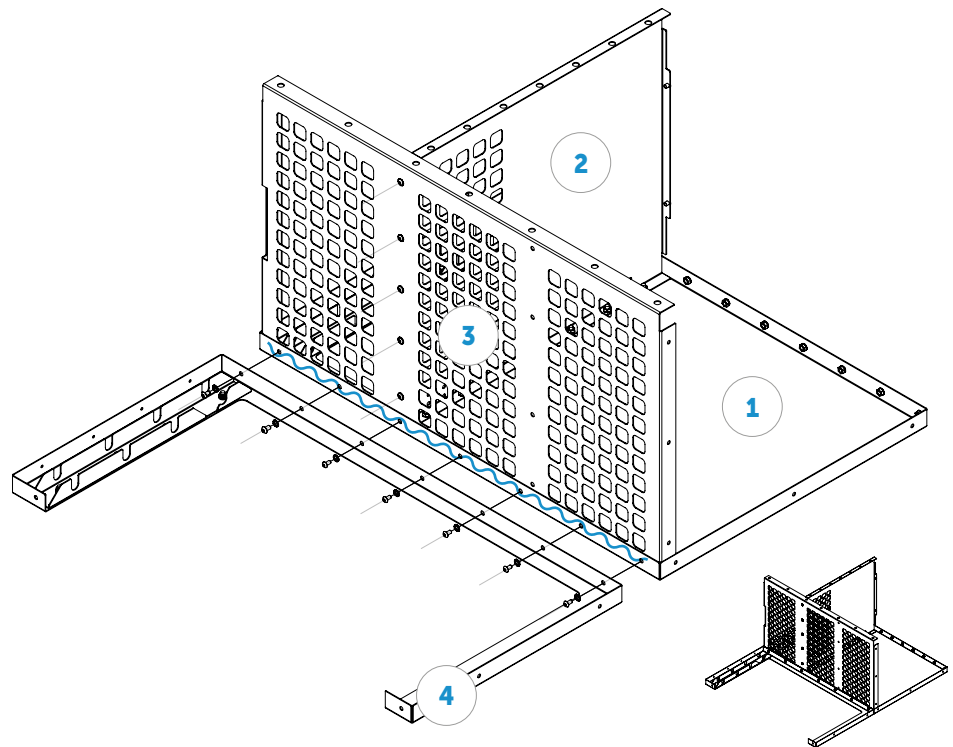
M6x16 – 7x



ø 6mm – 7x



Sikaflex 221



### STEP 4



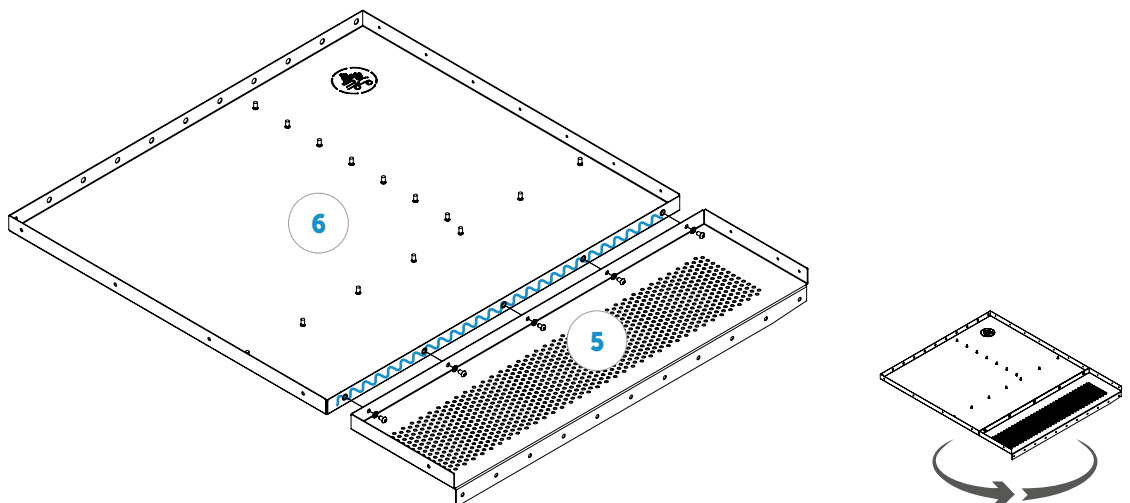
M6x16 – 5x



ø 6mm – 5x



Sikaflex 221



## STEP 5



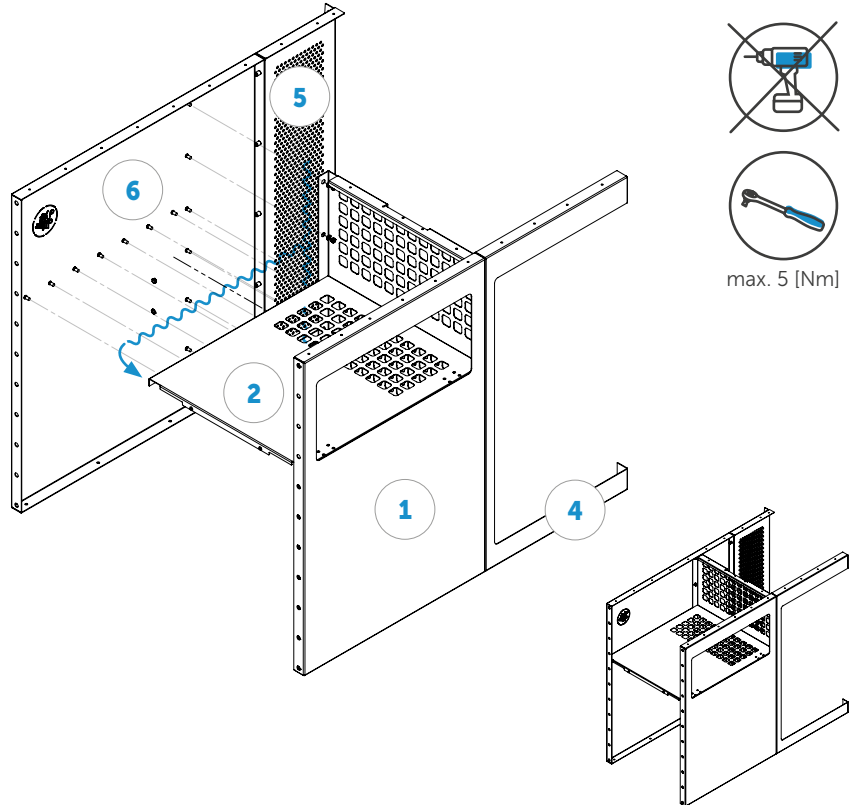
M6 – 14x



ø 6mm – 14x



Sikaflex 221



## STEP 6



M4x10 – 2x



ø 4mm – 2x



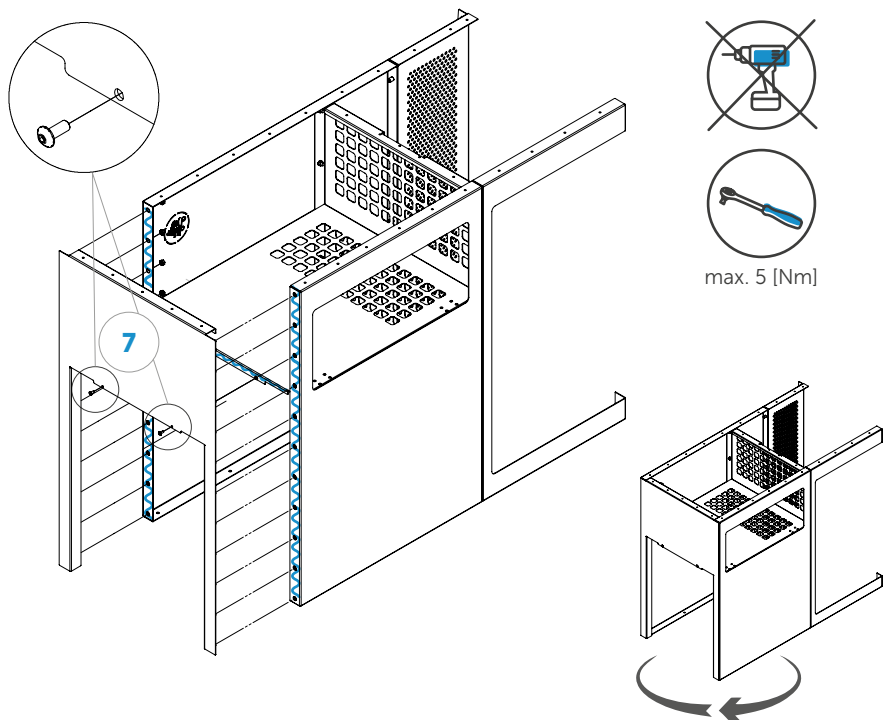
M6 – 22x



ø 6mm – 22x



Sikaflex 221





## STEP 7



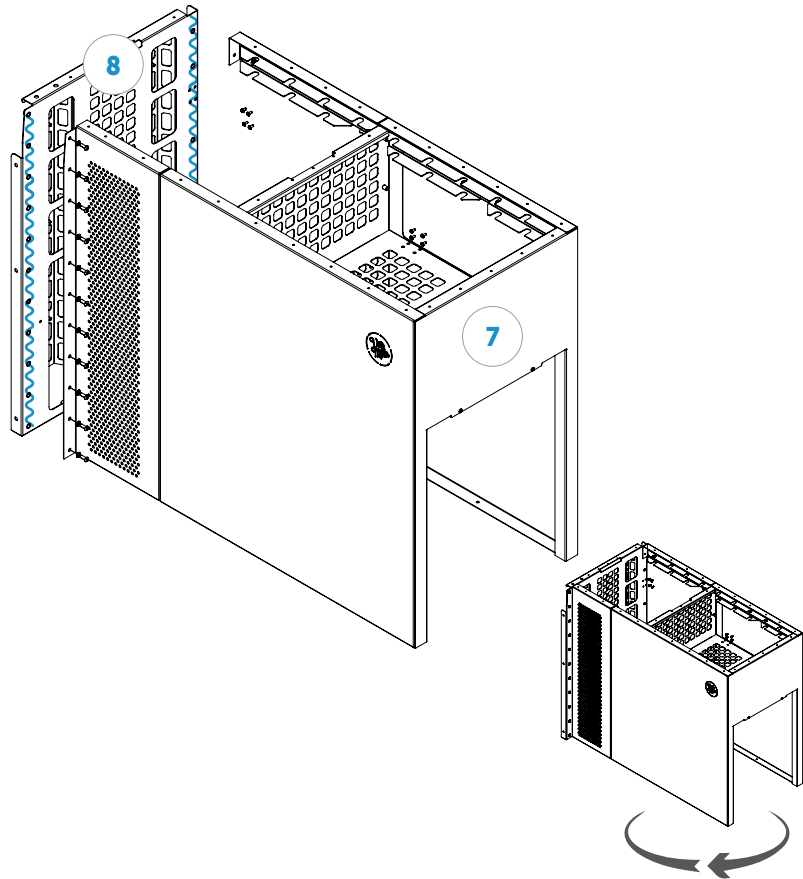
M6x16 – 11x



ø 6mm – 11x



Sikaflex 221



## STEP 8



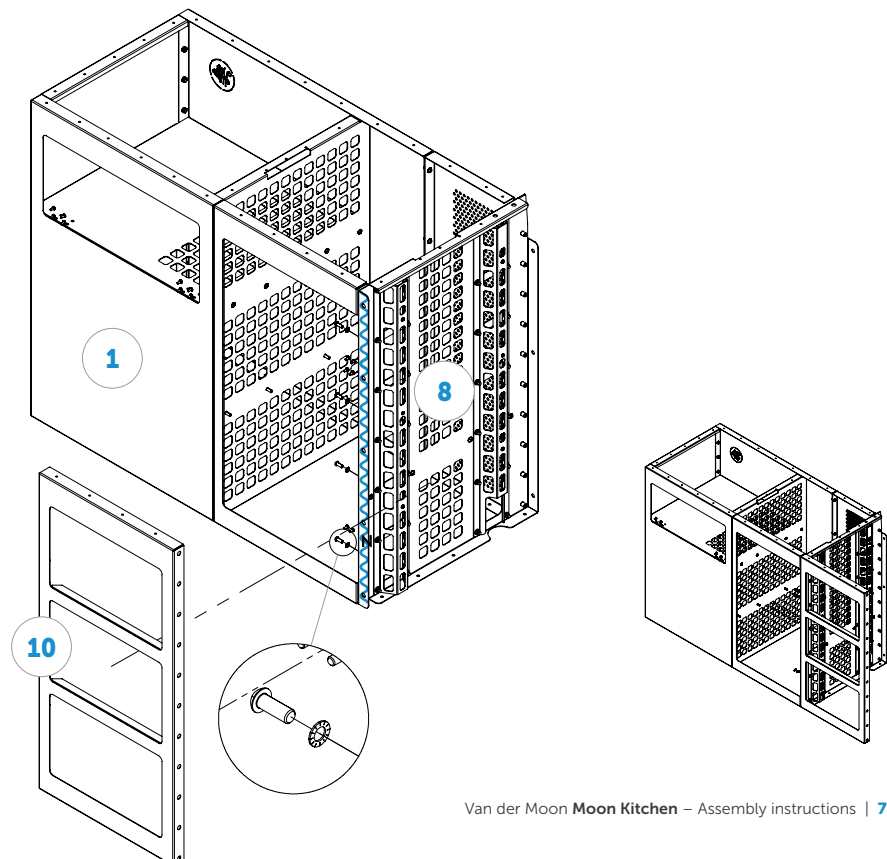
M6x16 – 6x



ø 6mm – 6x



Sikaflex 221



## STEP 9



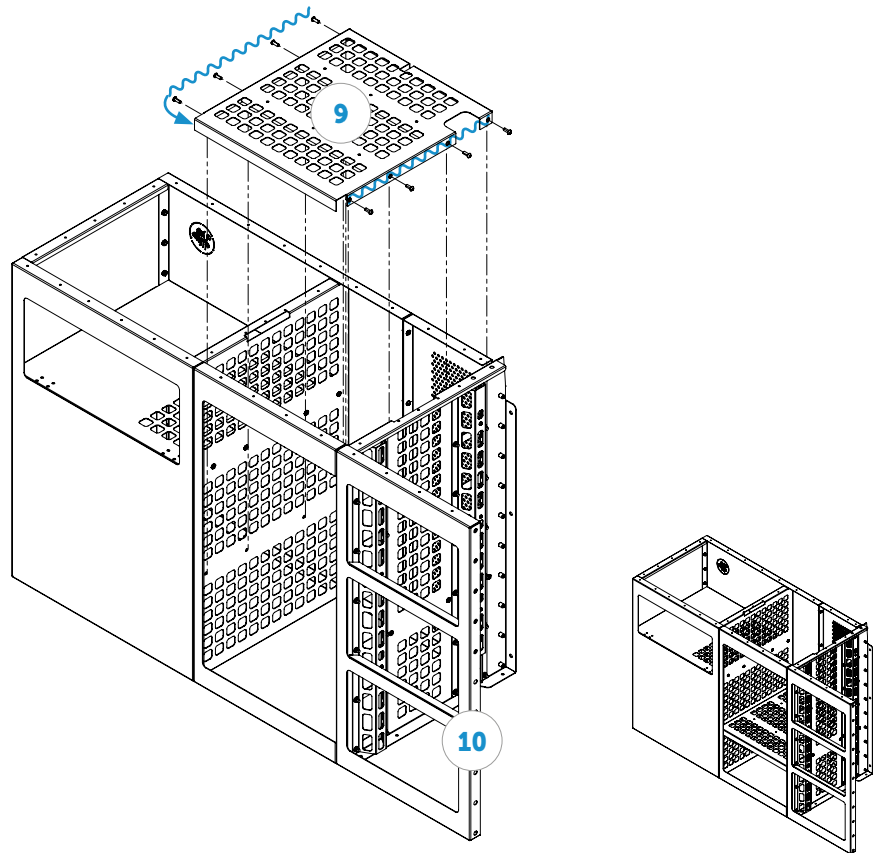
M6x16 – 8x



ø 6mm – 8x



Sikaflex 221



## STEP 10



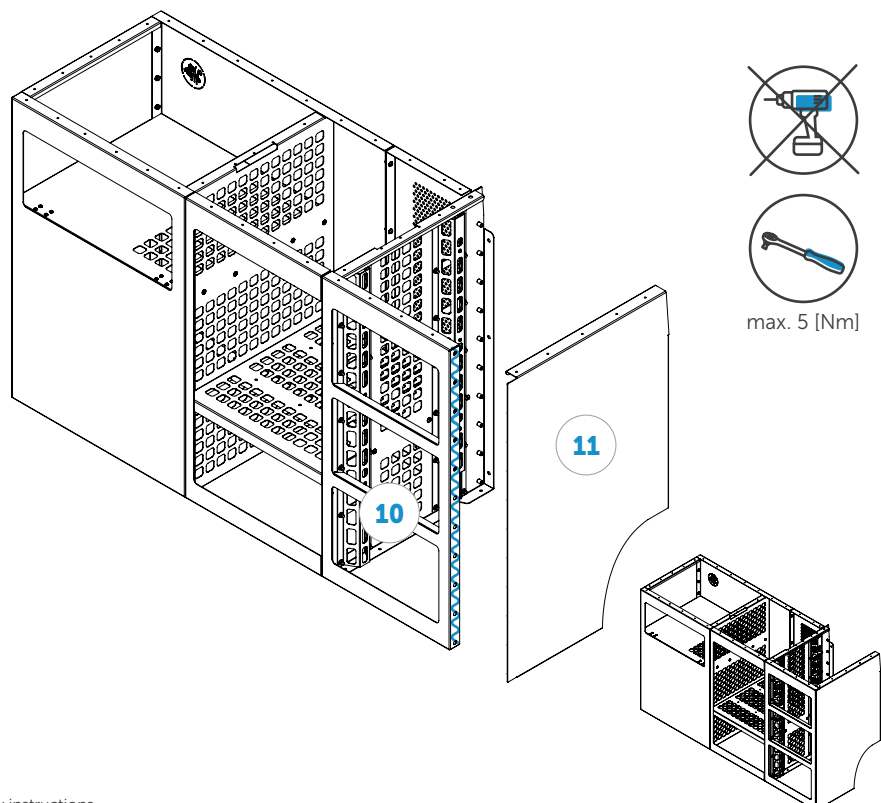
M6 – 11x



ø 6mm – 11x



Sikaflex 221



## STEP 11



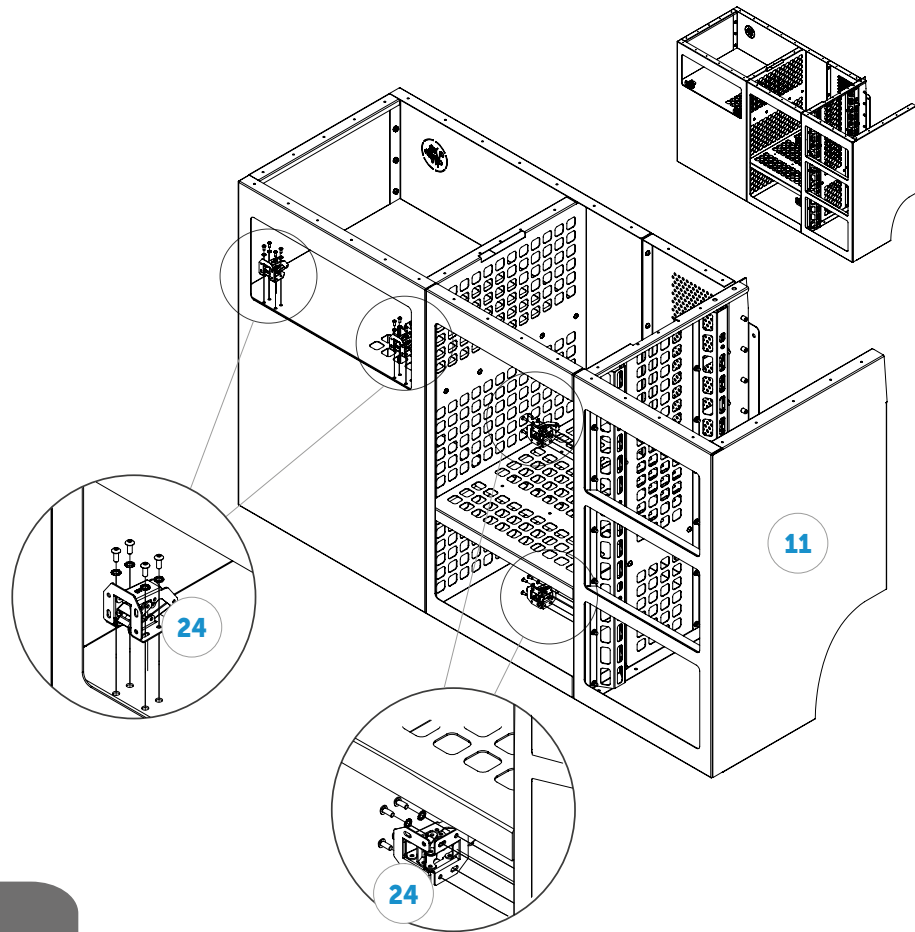
M4x10 – 16x



ø 6mm – 16x



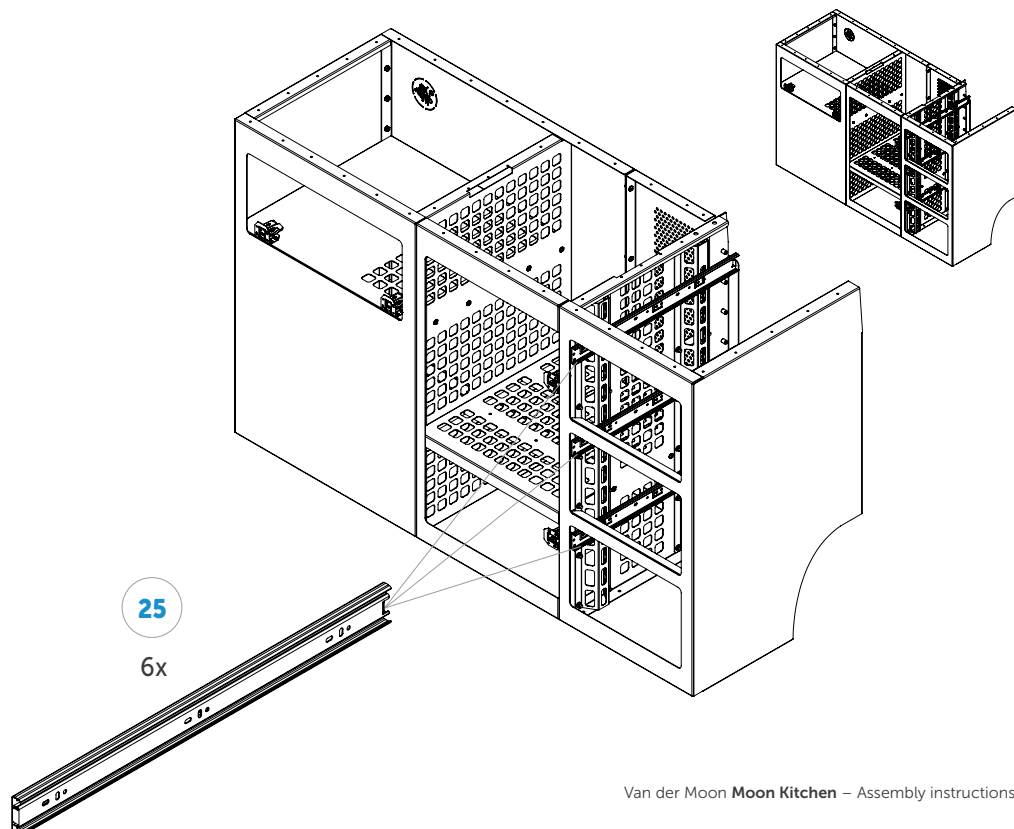
Sikaflex 221



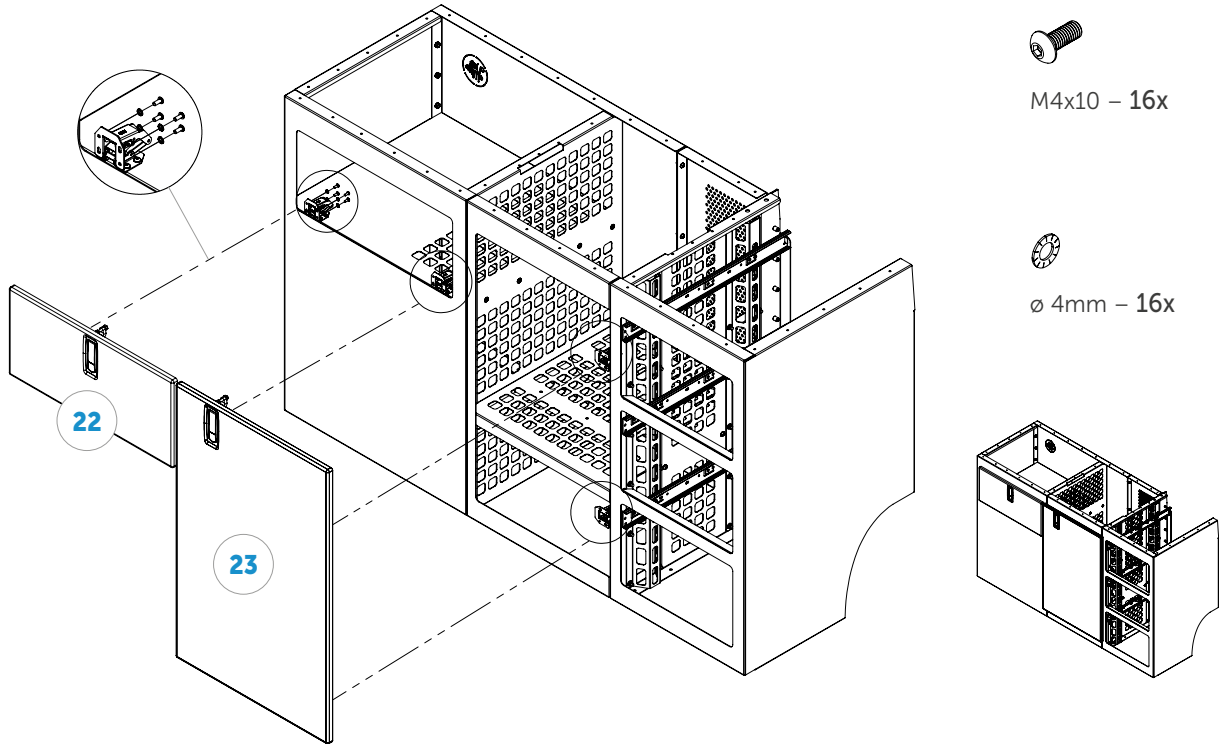
## STEP 12



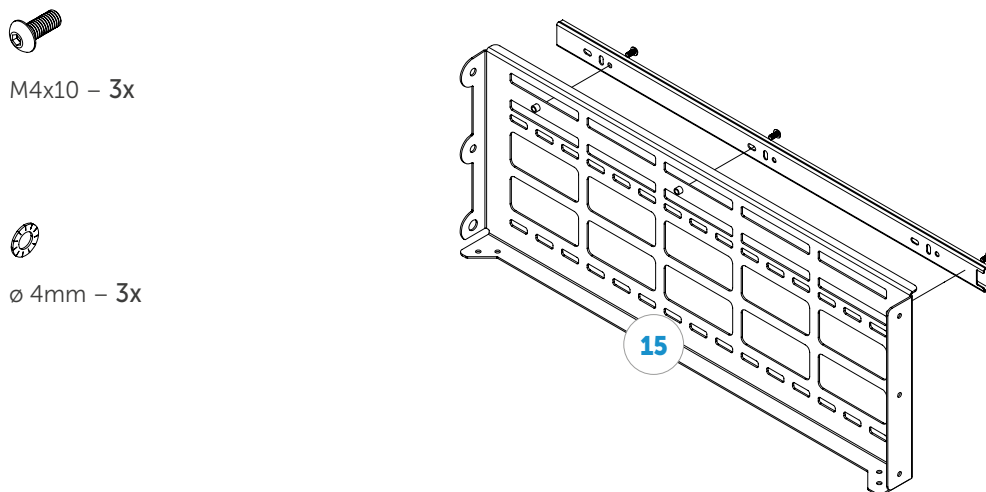
M4x10 – 17x



## STEP 13



## STEP 14



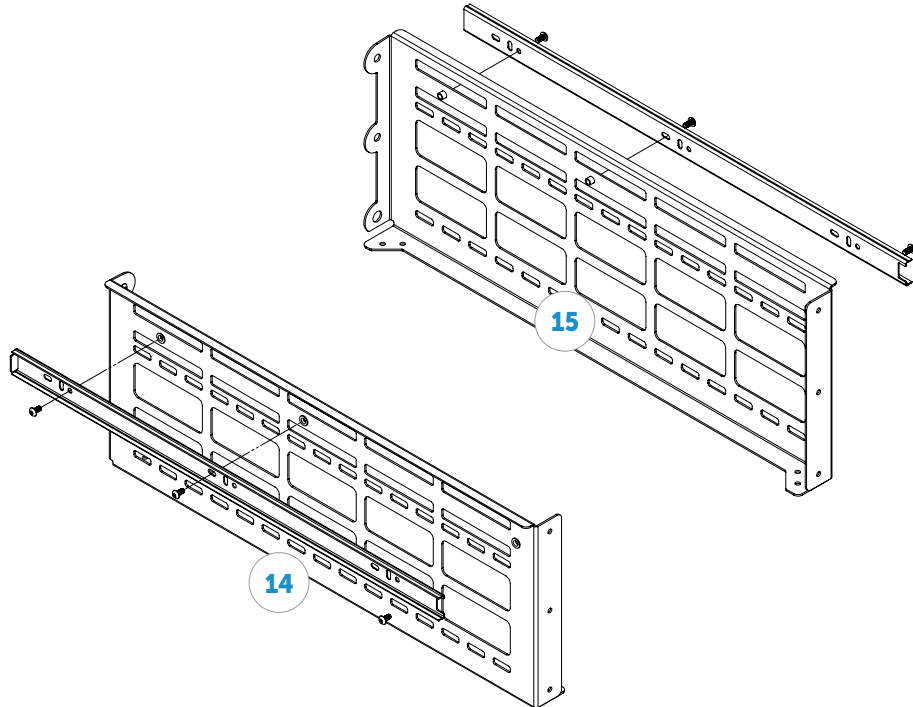
## STEP 15



M4x10 – 6x



ø 4mm – 6x



## STEP 16



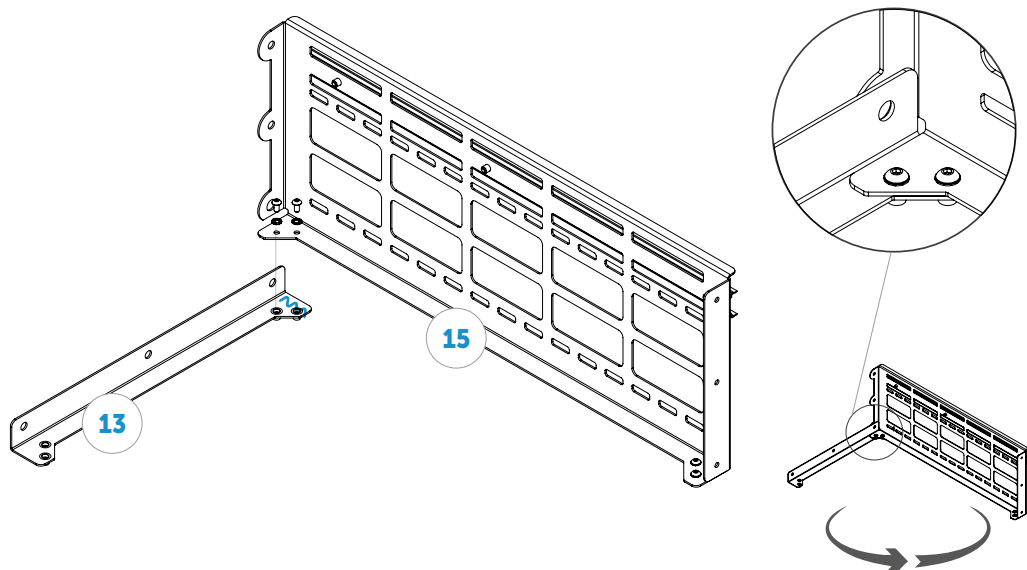
M4x10 – 2x



ø 4mm – 2x



Sikaflex 221



## STEP 17



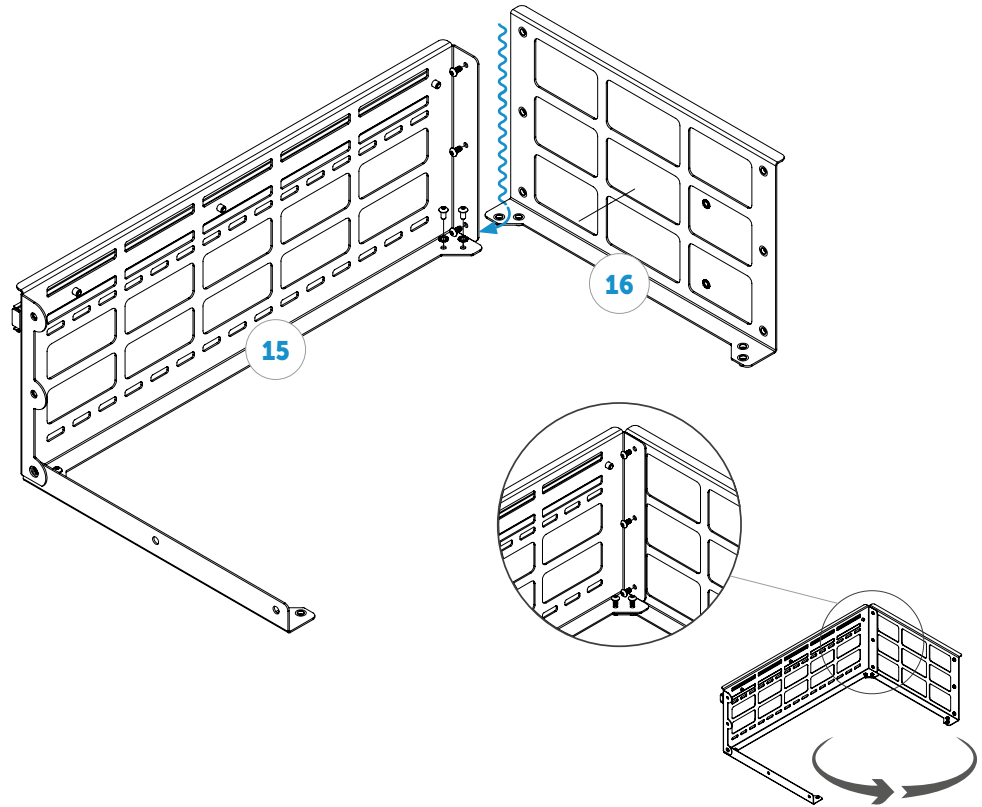
M4x10 – 5x



ø 4mm – 5x



Sikaflex 221



## STEP 18



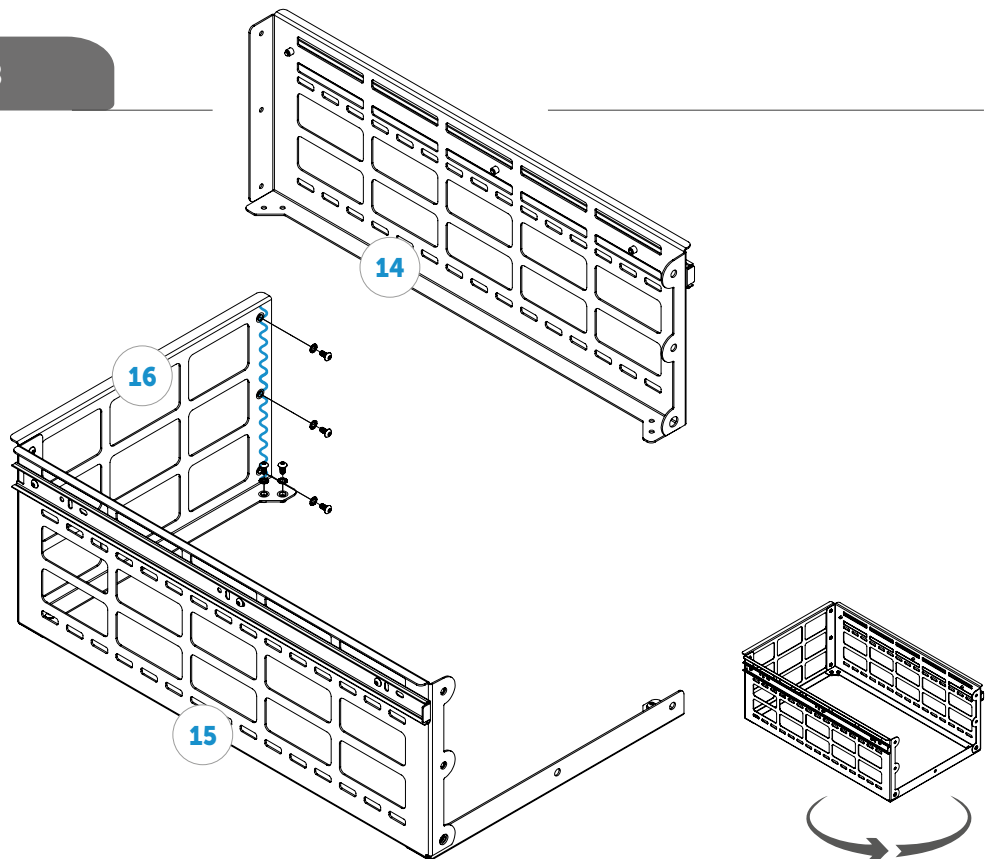
M4x10 – 5x



ø 4mm – 5x



Sikaflex 221



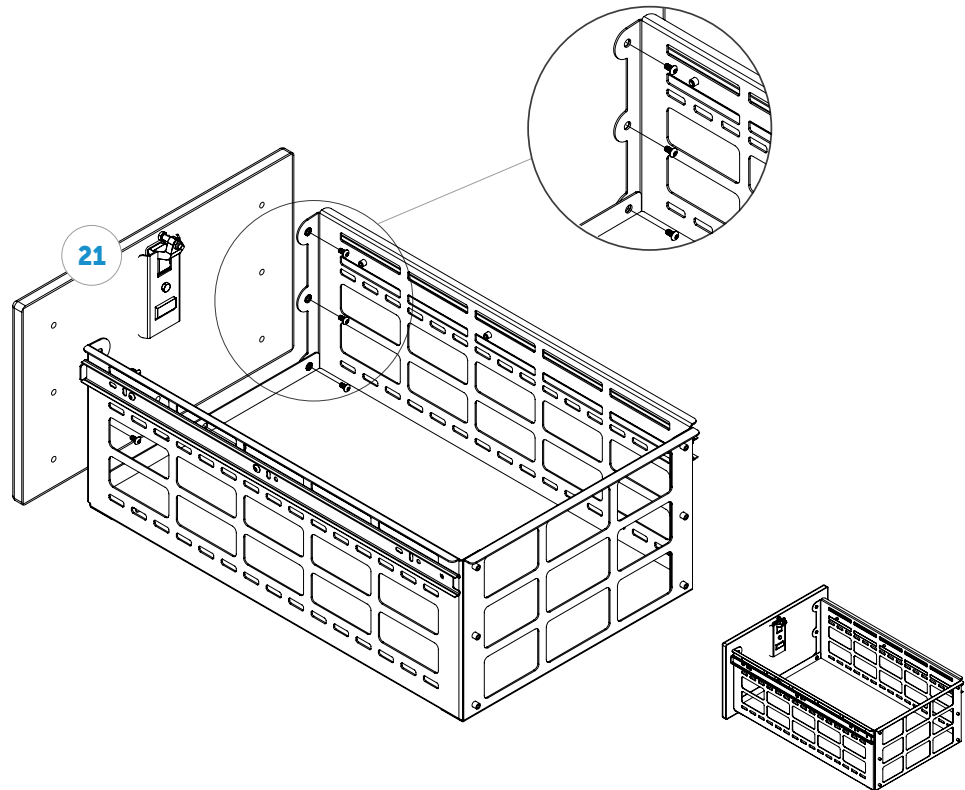
## STEP 19



M4x10 – 7x



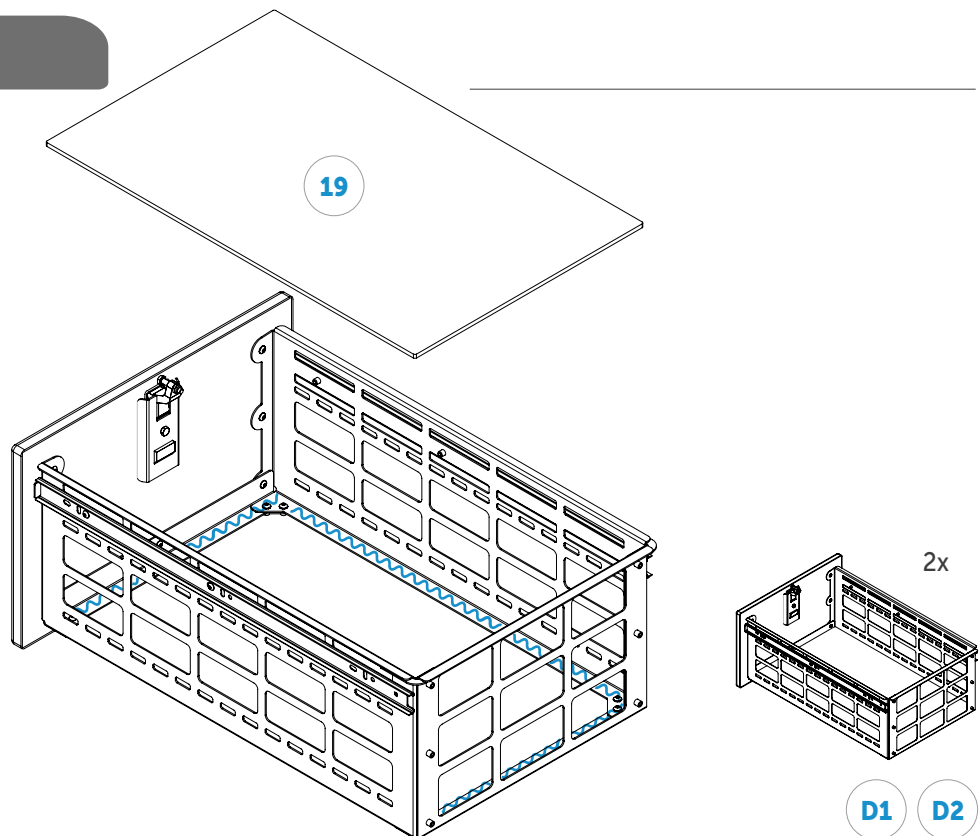
ø 4mm – 7x



## STEP 20



Sikaflex 221



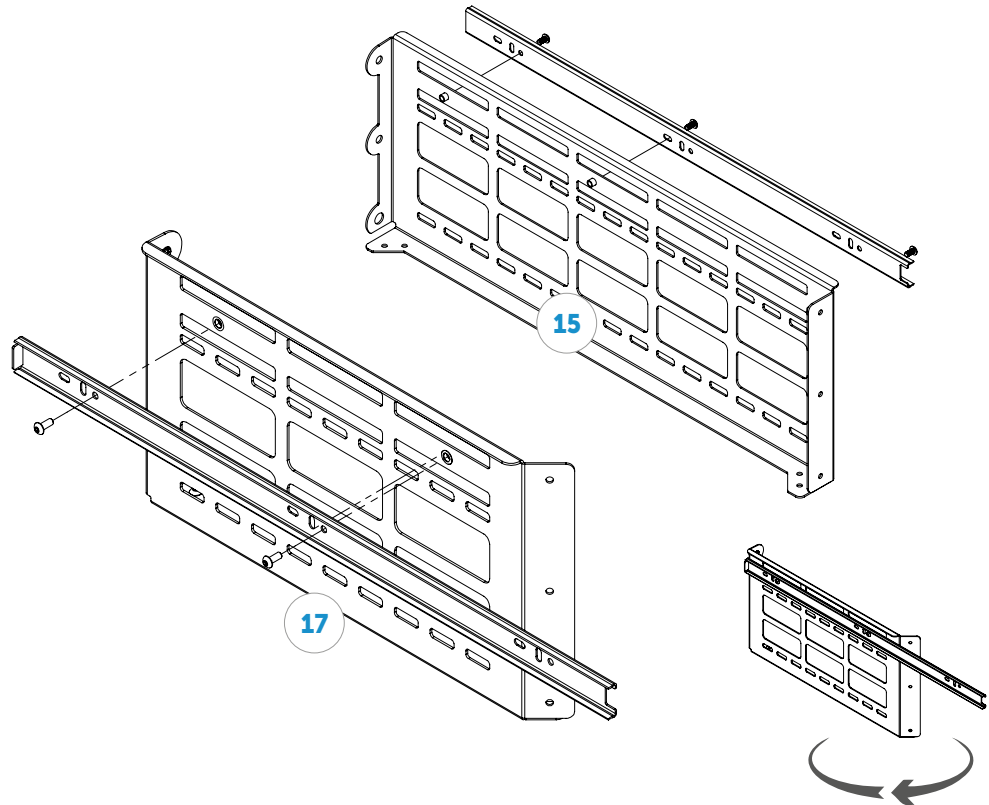
## STEP 21



M4x10 – 5x



ø 4mm – 5x



## STEP 22



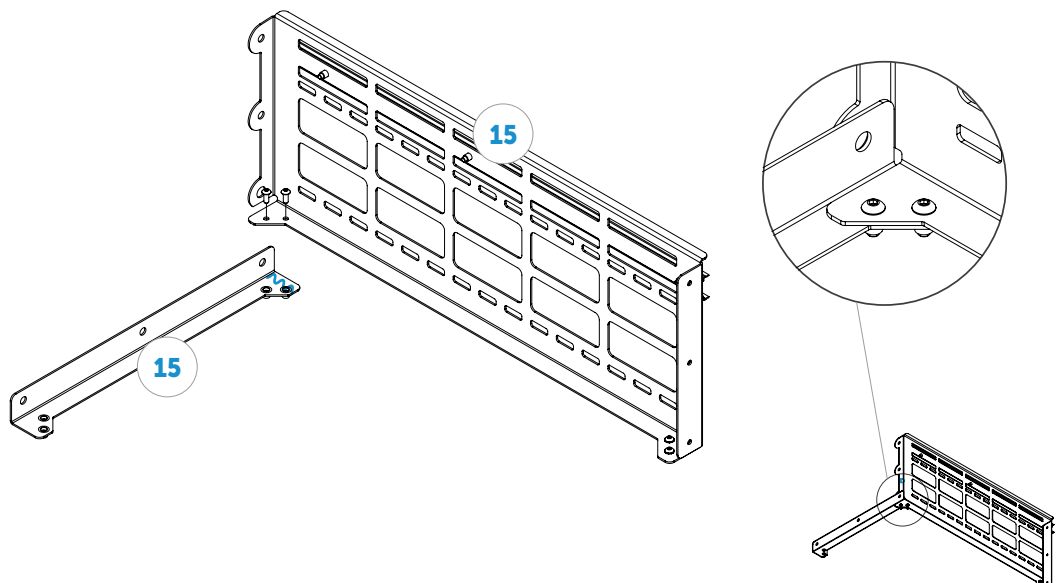
M4x10 – 2x



ø 4mm – 2x



Sikaflex 221





## STEP 23



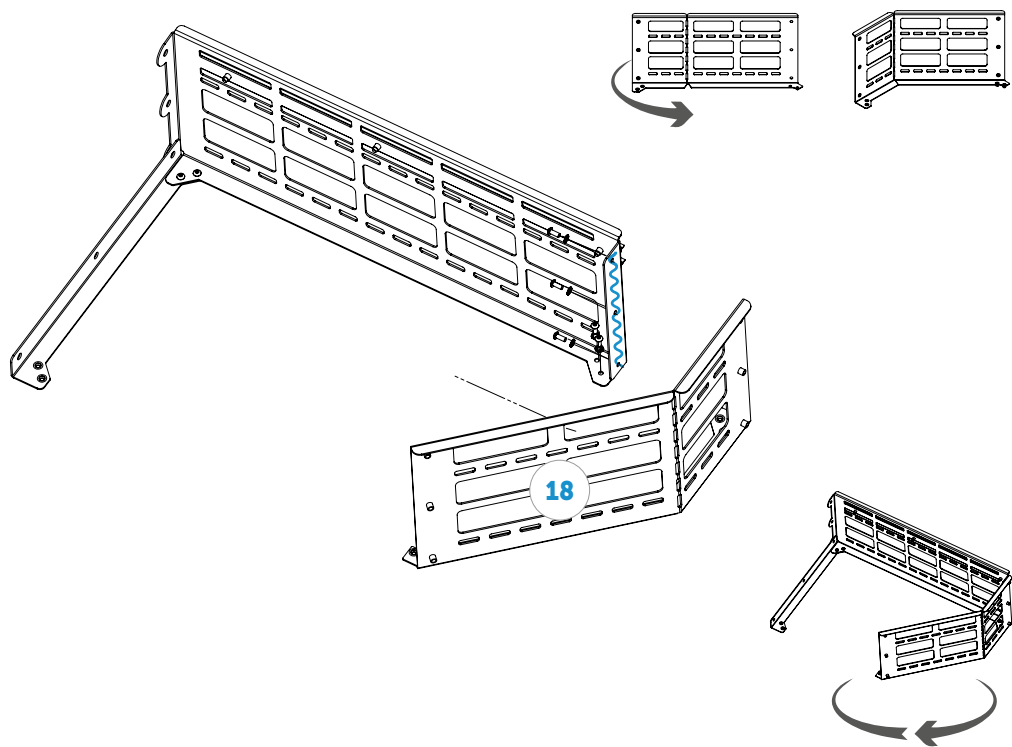
M4x10 – 5x



ø 4mm – 5x



Sikaflex 221



## STEP 24



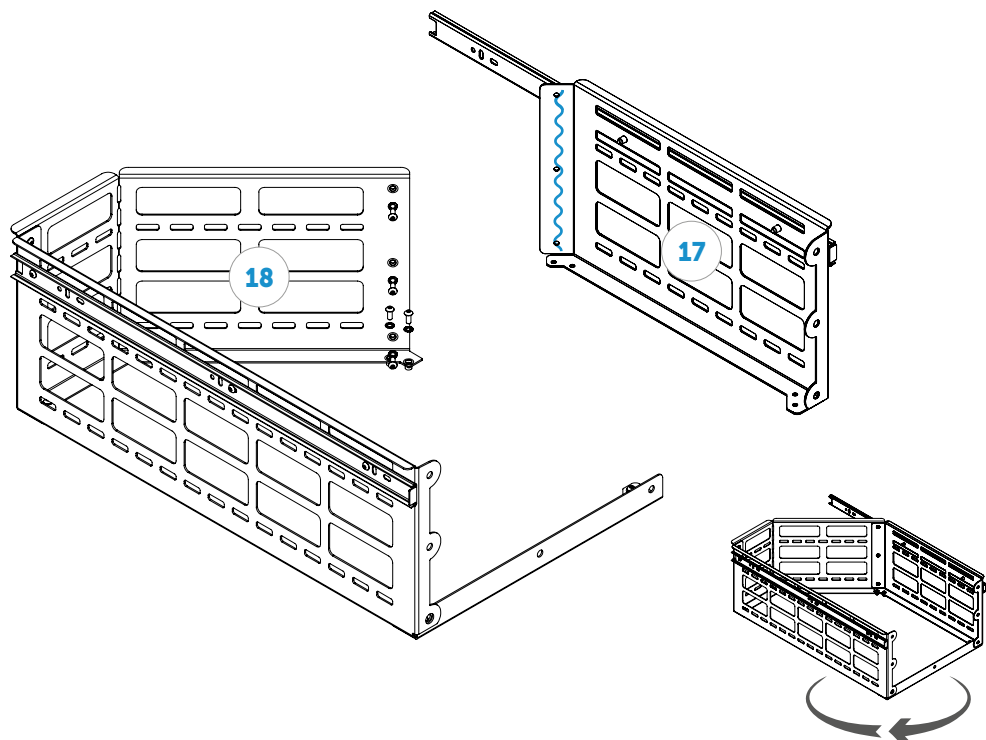
M4x10 – 5x



ø 4mm – 5x



Sikaflex 221



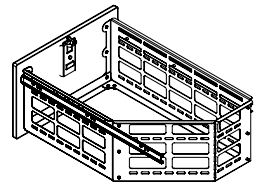
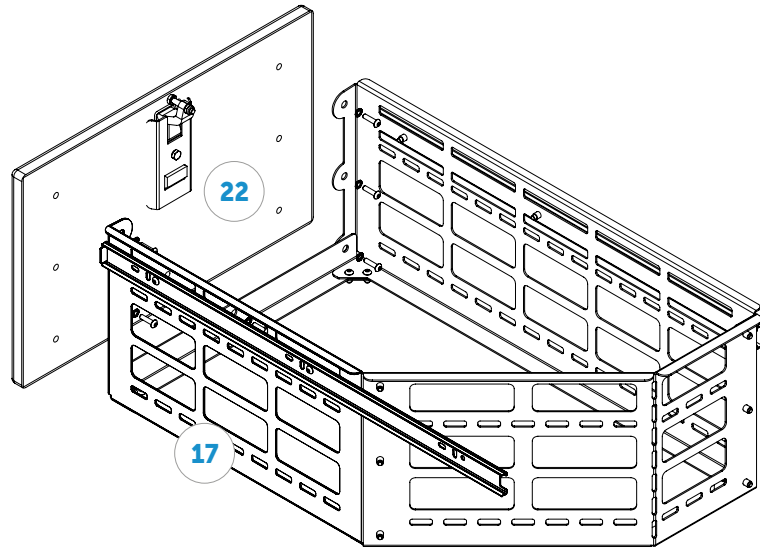
## STEP 25



M4x10 – 7x



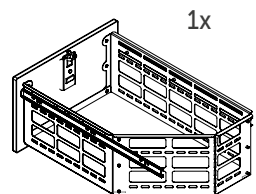
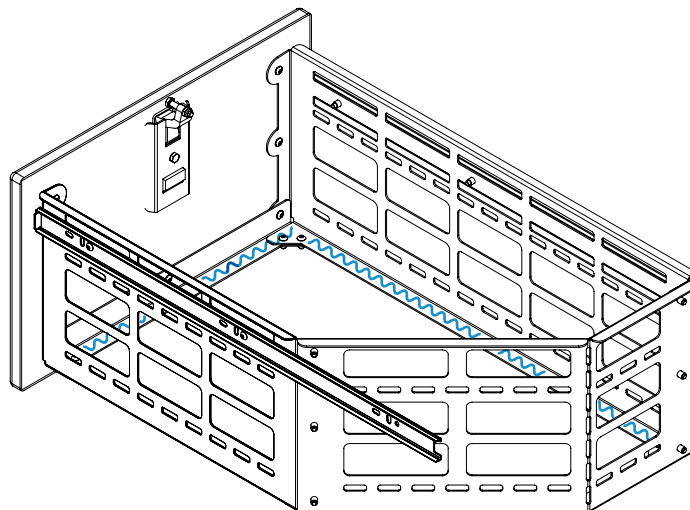
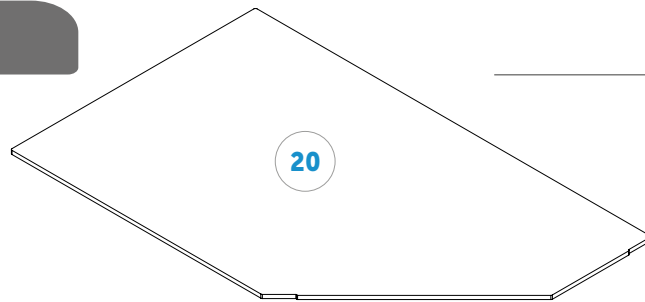
∅ 4mm – 7x



## STEP 26



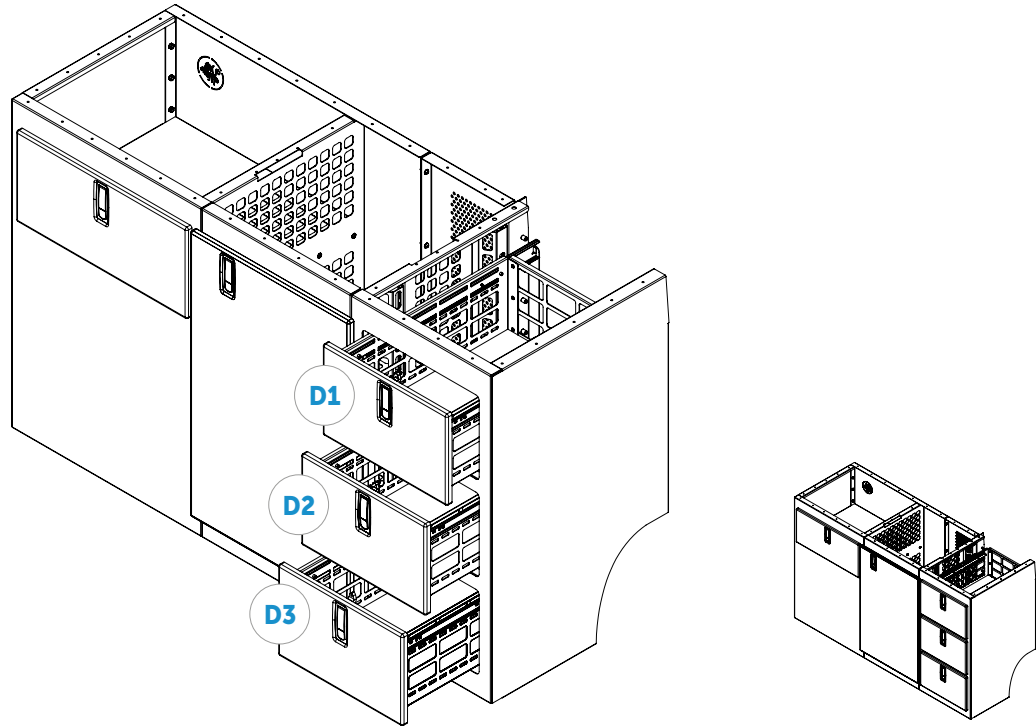
Sikaflex 221



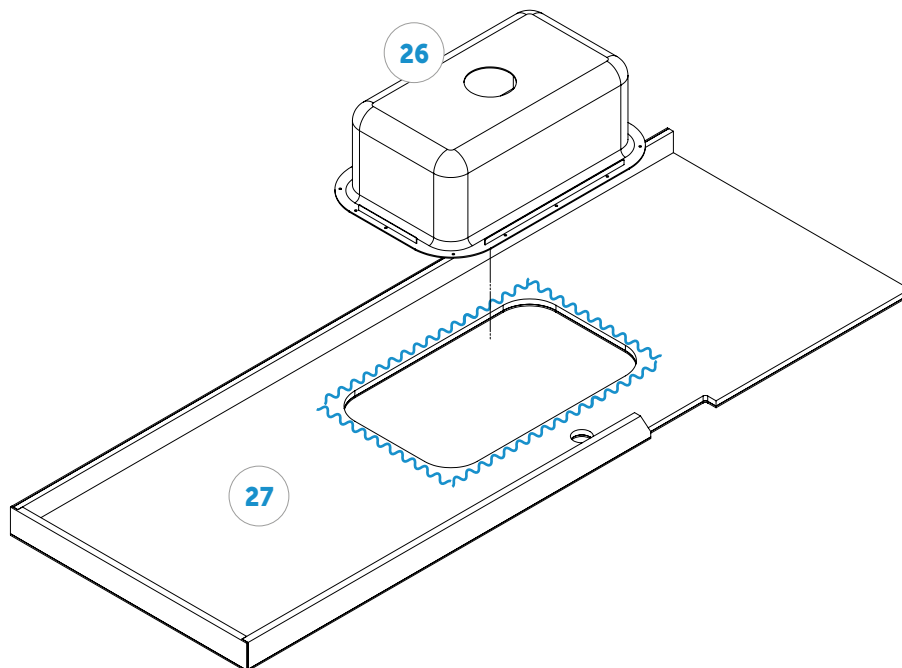
1x

D3

## STEP 27



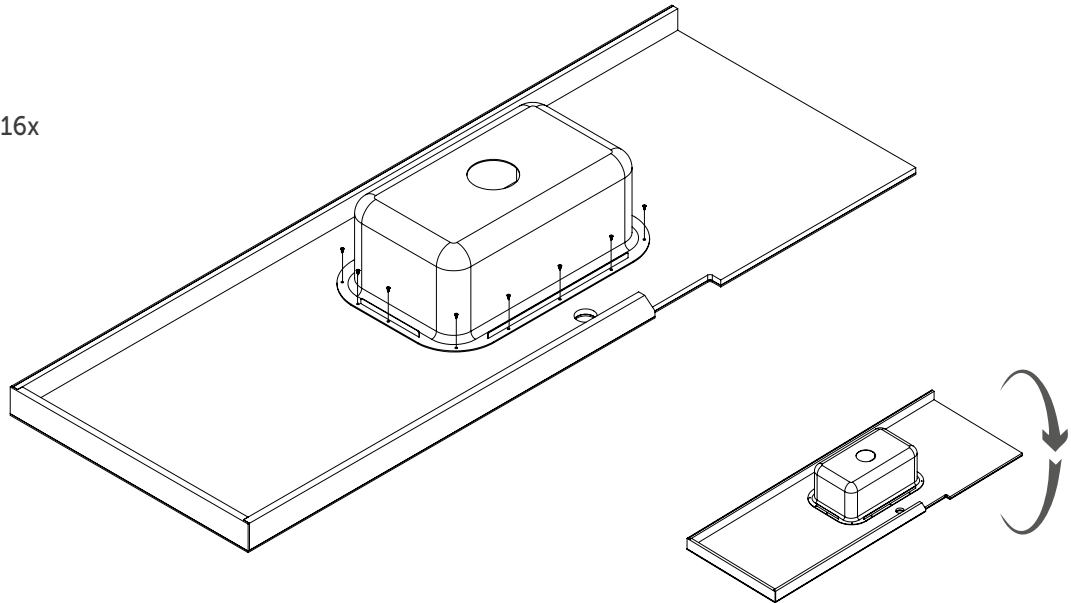
## STEP 28



## STEP 29



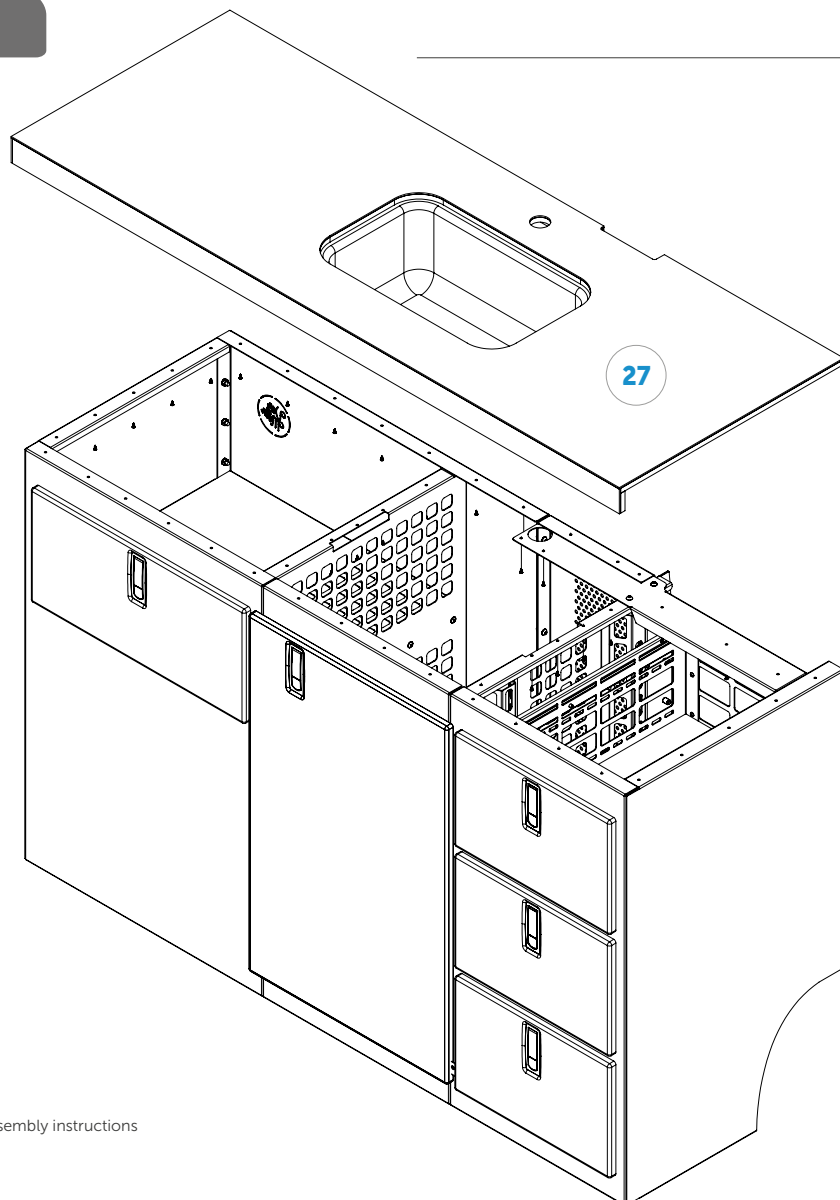
2,85x9mm – 16x



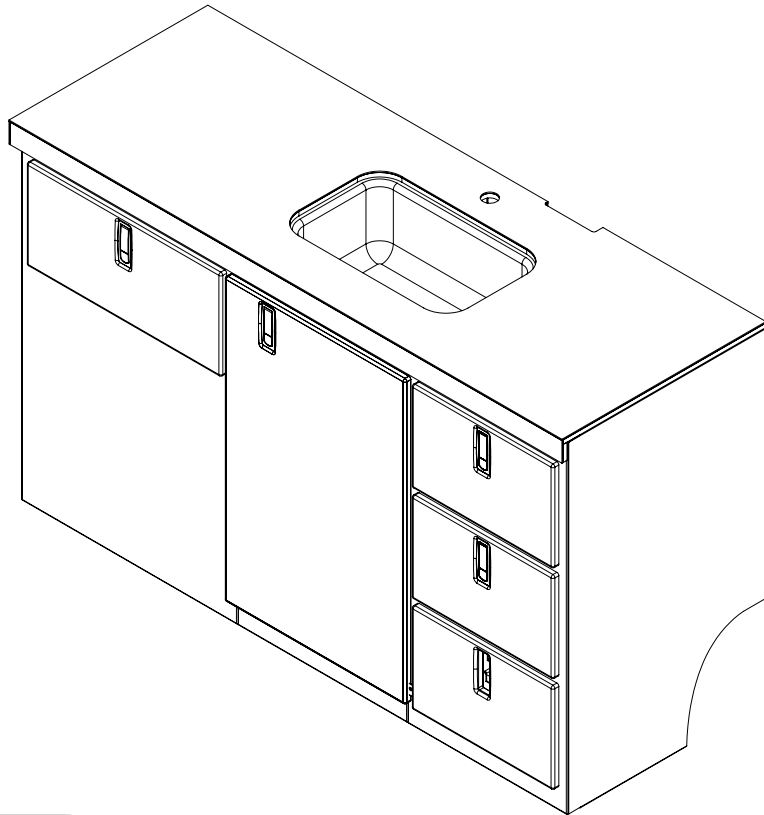
## STEP 30



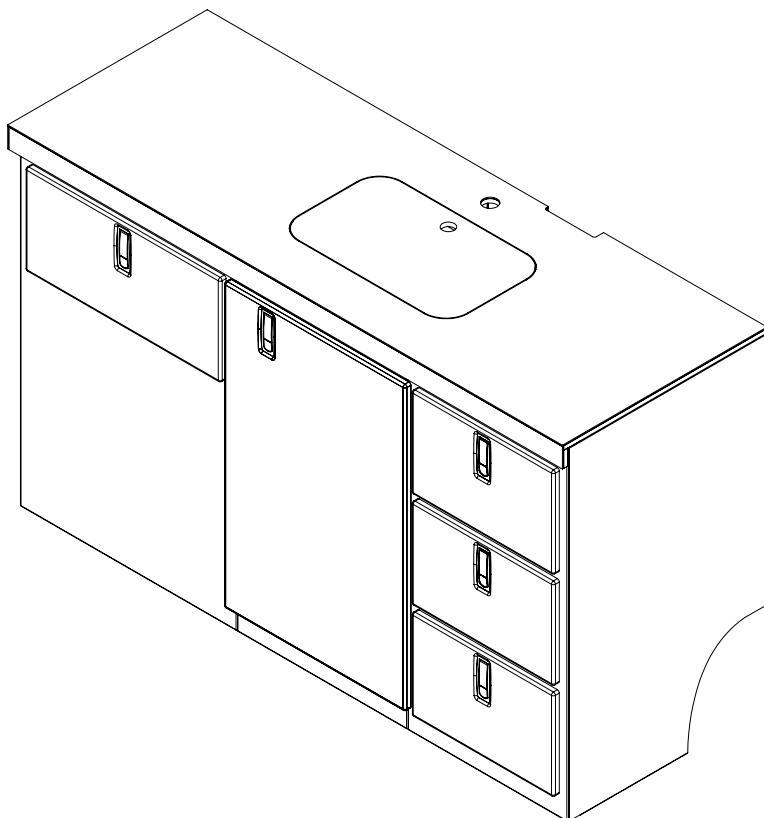
2,85x9mm – 49x



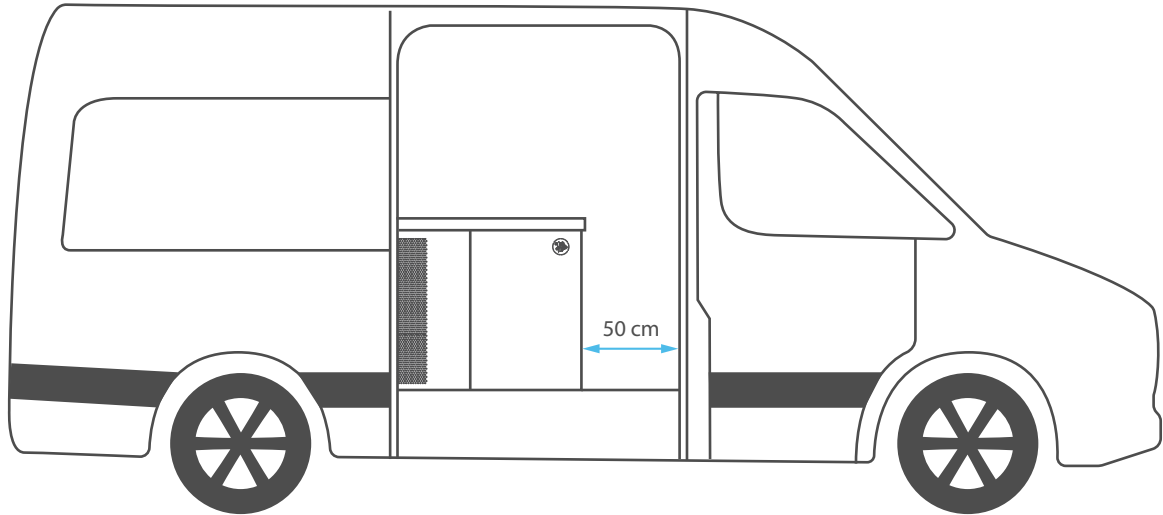
**STEP 31**



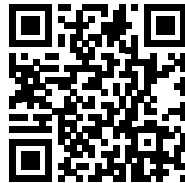
**STEP 32**



## MOON KITCHEN



[www.vandermoon.com](http://www.vandermoon.com)



### Contact

+48 18 442 33 69

[contact@vandermoon.com](mailto:contact@vandermoon.com)

Van der Moon® is a registered trademark of Vitberg Sikora Jacek.  
© Vitberg Sikora Jacek – all rights reserved.  
Made in Poland.